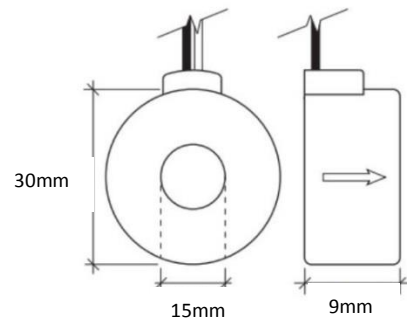


CT-8688 Current Transformer Specification

This document is intended to be used with the Packet Power 3-Phase Power Monitoring Module User's Manual. Please refer to it for important information.

Technical Specifications

CT Type: Solid Core
Rated Input: 0-80 Amps AC (nominal)
Max Input (Load): 88 A
Inside Diameter: 15mm
Outside Diameter: 30mm
Width: 9mm
Accuracy: $\pm 1\%$
Leads: 24 AWG
Lead Length: 1220 mm
Vector Indication: white dot points towards the source



Installation Notes

Polarity: (see figure 2)

- Black wire to negative (-) terminal
- White to positive (+) terminal

To install the CT on the conductor cable:

- Attach the CT leads to the monitoring module while the module is not powered.
- Power down the load prior to installation.
- Only qualified personnel should install CTs on live circuits. If the CT is installed on a live circuit, it must be connected to the monitoring module or the leads must be shorted to avoid damaging the CT.
- Position the CT on the conductor such that the arrow on the CT is pointing toward the load end of the wire and away from the supply as shown in the diagram below (see figure 1).

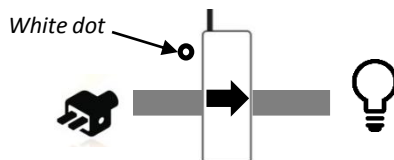


Figure 1: CT Orientation

A PHASE			B PHASE			C PHASE		
(+)	IA	(-)	(+)	IB	(-)	(+)	IC	(-)

Figure 2: Wire color polarity