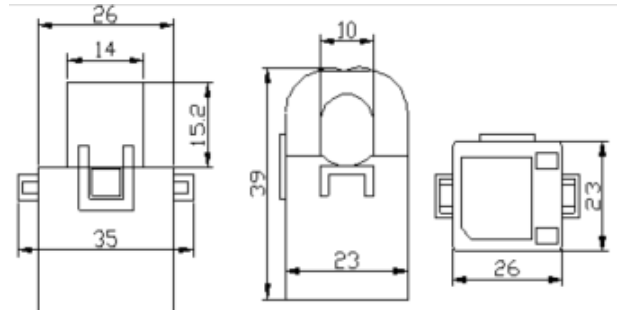


CT-XH10-xx-S-100MX Current Transformer

This document is intended to be used with the Packet Power 3-Phase Power Monitoring Module User's Manual. Please refer to it for important information.

Technical Specifications

Model	Rated Input	Maximum Load
CT-XH10-15-S-100MX	15A	18A
CT-XH10-30-S-100MX	30A	36A
CT-XH10-50-S-100MX	50A	63A



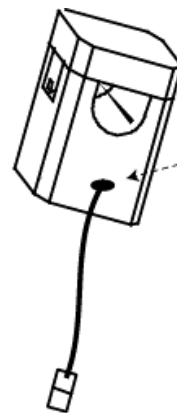
CT Type: Split Core
Accuracy: +/- 1.0%
Leads: 100 mm wire with connector
Vector Indication: see Figure 1

Installation Notes

- Power down the circuit prior to installation. *Warning: If it is not possible to power down the circuit, always treat CT leads as though they could carry line voltages or higher.*
- Open the split core CT by opening the latch on the side of the CT (Figure 1).
- Position the CT on the conductor such that **the CT leads face toward the load** and away from the source (Figure 2).
- Close the CT and ensure the latch has clicked into place.
- Be sure to connect each CT to the correct phase on the monitoring unit (refer to Packet Power's wiring diagram for the circuit type that relates to your application) by attaching the CT leads to the monitoring module using the CT connector harness (Figure 3).
- Connect the CT to the CT connector harness using the polarized connector.



Figure 1



The side of the CT with the leads faces the load and away from the source.

Figure 2

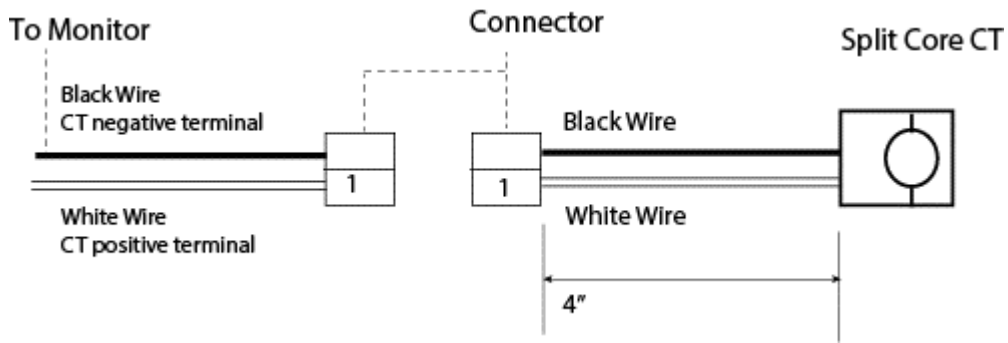


Figure 3