

CT-XH16-100-S-500MX Current Transformer

This document is intended to be used with the Packet Power 3-Phase Power Monitoring Module User's Manual. Please refer to it for important information.

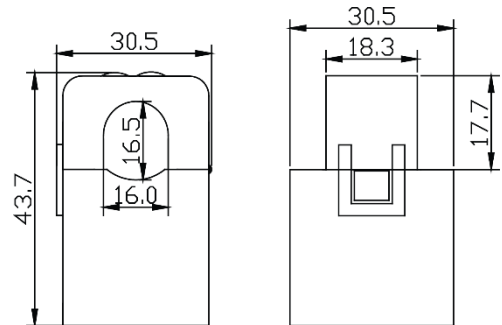
Technical Specifications

Model	Rated Input	Maximum Load
CT-XH16-100-S-500MX	100A AC	120A AC

CT Type: Split Core

Accuracy: +/- 1.0%

Leads: Wire connections

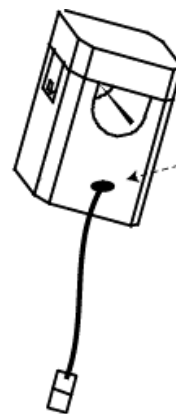


Installation Notes

- Power down the circuit prior to installation. .
- Open the split core CT by opening the latch on the side of the CT (figure 1).
- Position the CT on the conductor such that **the CT label faces toward the source** and away from the load (figure 2).
- Close the CT and ensure the latch has clicked into place.
- Be sure to connect each CT to the correct phase on the monitoring unit (refer to Packet Power's wiring diagram for the circuit type that relates to your application) by attaching the CT leads to the monitoring module using the CT connector harness (figure 3).
- Connect the CT to the CT connector harness using the polarized connector.



Figure 1



The side of the CT with the label faces the source and away from the load.

Figure 2

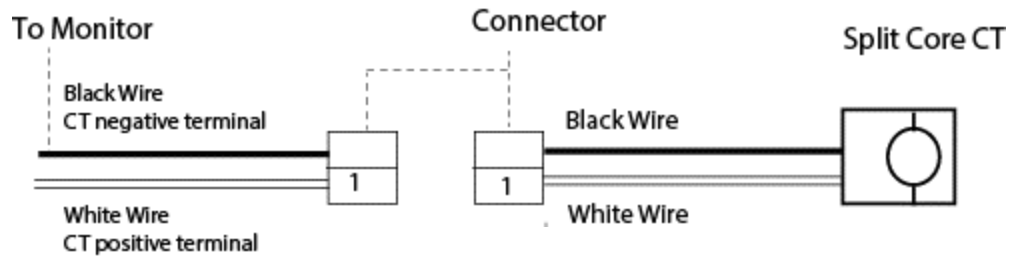


Figure 3