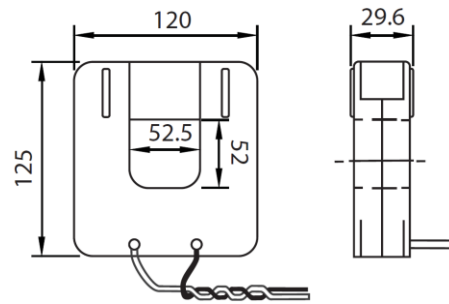


# CT-XH50X50-xxx-S-500MX Current Transformer

This document is intended to be used with the Packet Power 3-Phase Power Monitoring Module User's Manual. Please refer to it for important information.

## Technical Specifications

Model	Rated Input	Maximum Load
CT-XH50X50-600-S-500MX	600A AC	720A
CT-XH50X50-800-S-500MX	800A AC	960A
CT-XH50X50-1200-S-500MX	1200A AC	1440A



**CT Type:** Split Core  
**Accuracy:** +/- 1.0%  
**Leads:** 500 mm 24AWG 600V wire with connector

## Installation Notes

- Power down the circuit prior to installation. *Warning: If it is not possible to power down the circuit, always treat CT leads as though they could carry line voltages or higher.*
- Open the split core CT by opening the latch
- Position the CT on the conductor such **the CT side with the wires faces toward the source** and away from the load.
- Close the CT and ensure the latch has clicked into place.
- Be sure to connect each CT to the correct phase on the monitoring unit (refer to Packet Power's wiring diagram for the circuit type that relates to your application) by attaching the CT leads to the monitoring module using the CT connector harness.
- Connect the CT to the CT connector harness using the polarized connector.

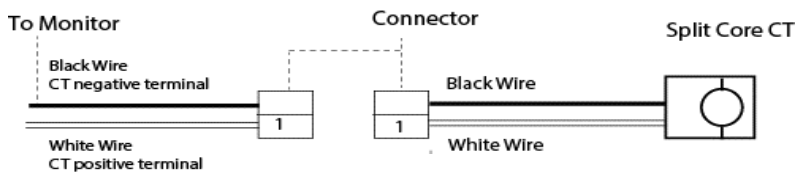
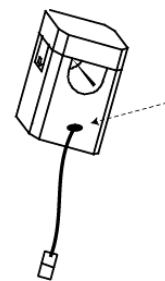


Figure 3



The side of the CT with the wires faces the source and away from the load.