

CT-Rogo-ADXXX-XXXX Rogowski Coils

This document is intended to be used with the Packet Power 3-Phase Power Monitoring Module User's Manual. Please refer to it for important information.

Rogowski coils are flexible thin coils that can be un-coupled and wrapped around large conductors or in narrow spaces where conventional current transformers may not fit. These coils are provided for three phase circuits with three coils in a set. The coils are provided with an integrator that requires a separate DC power source.



Technical Specifications

CT Type: Rogowski Coil

Current:

Dimensions: see chart

Accuracy: $\pm 1\%$ at 10% to 130% of rated capacity

Phase Angle: $< 0.5^\circ$

Output: 0.33V

I/O Screw Terminals: 16 AWG Max.

Integrator Power Supply: requires a 9-36 VDC ($< 0.2A$) power supply (order separately)

Coil Leads: 8' x 24 AWG

Power Meter / Output Leads: 6' x 24 AWG

Certifications: UL, CE

Coil Perimeter inches (mm)	Coil Inside Diameter inches (mm)
12" (300mm)	3.2" (81mm)
18" (450mm)	5.2" (127 mm)
24" (600mm)	7.5" (178 mm)
36" (900mm)	11.5" (279 mm)

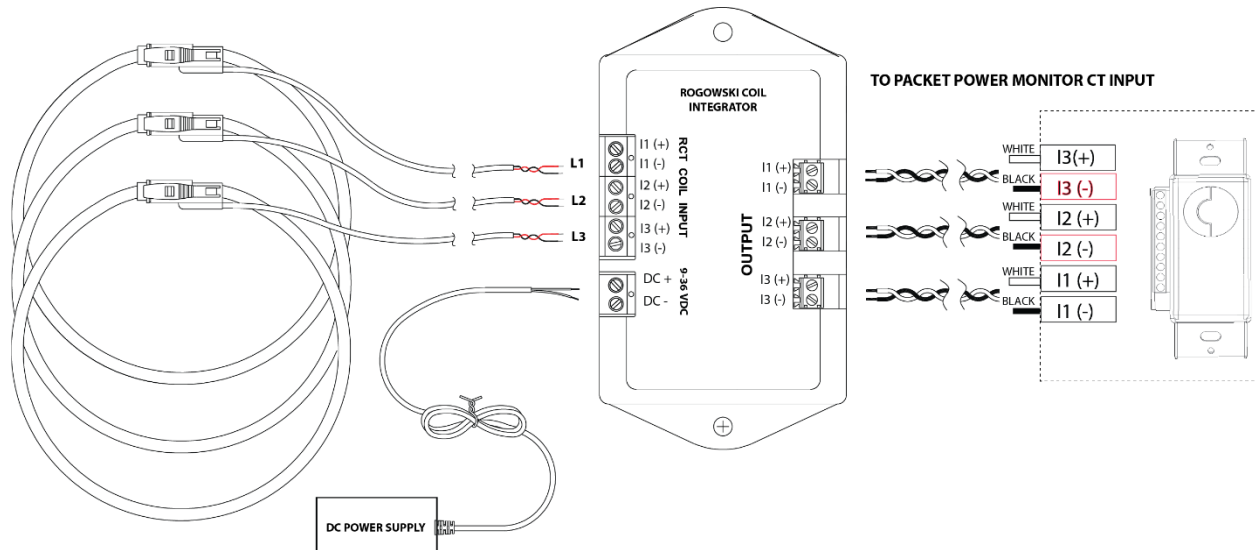
Current Ratings (A)
250, 400, 500, 800, 1000, 1500, 2000, 2500, 3000, 4000, 5000

Part Number: CT-Rogo-AD -

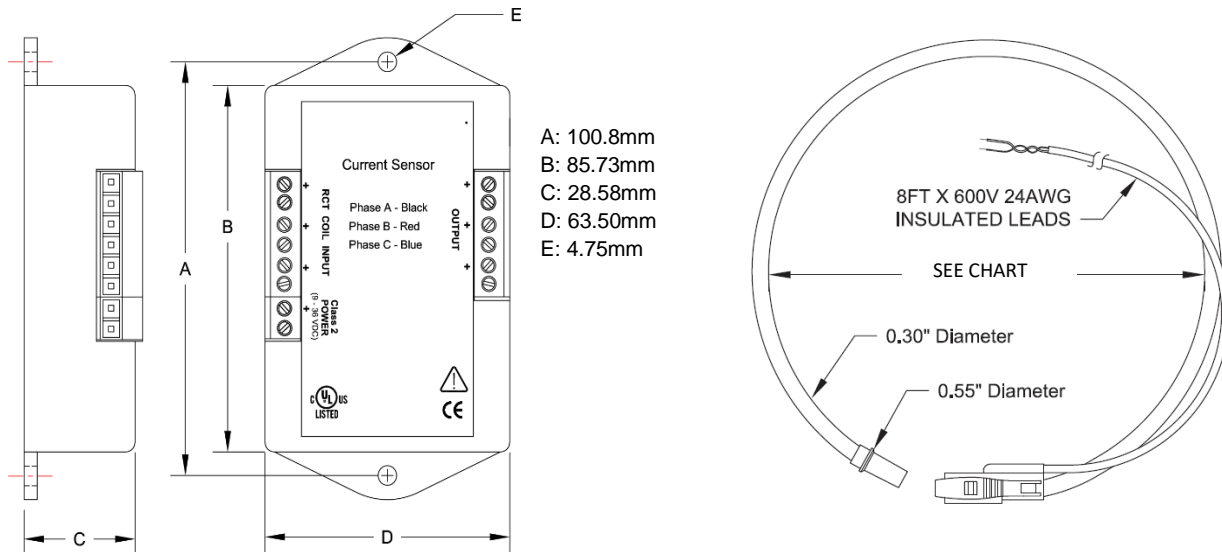
Coil Perimeter (mm) Current Capacity (A)

Installation Notes

Refer to the Packet Power Rogowski Coil Installation Manual for installation details



Dimensional Details



Optional Accessories

A 12 VDC Power Supply is required. Contact Packet Power for details on a unit that is appropriate to your installation.