

This guide provides a summary of how to make the changes needed to allow the Gateway to work on your Ethernet network. For more detailed instructions see www.packetpower.com/support or email support@packetpower.com

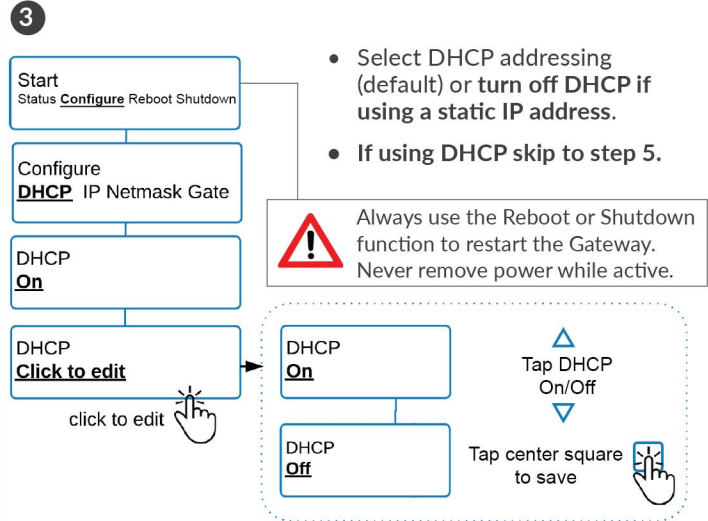
IMPORTANT: GATEWAY MUST BE CONNECTED TO A NETWORK TO ENABLE CONFIGURATION



- Insert Ethernet cable into the network port and connect other end to the network.
- Connect the universal power supply provided to 5V DC jack to power the Gateway.
- **IMPORTANT:** If either of the Network Status lights is not lit there is no network connection. A network connection must be established before proceeding.



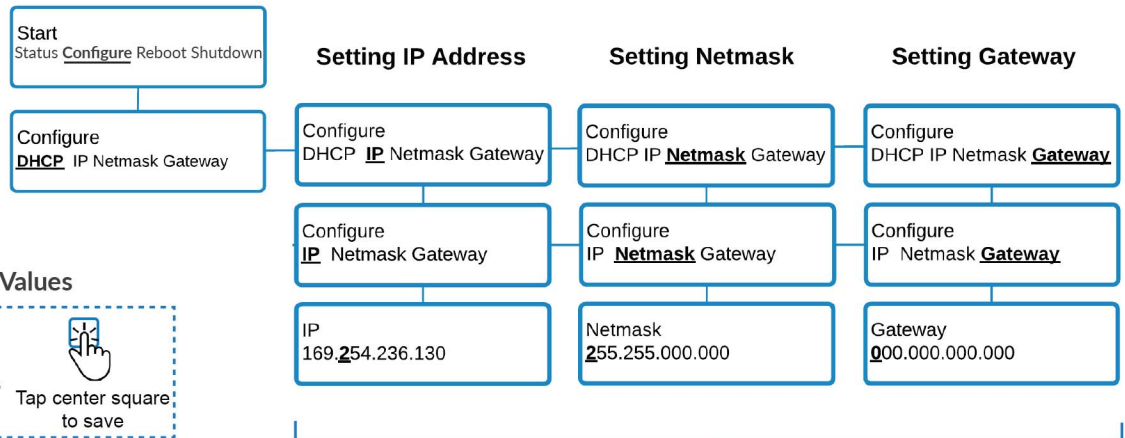
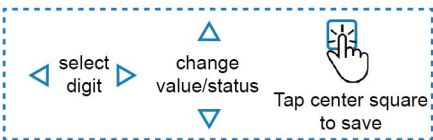
- Unlock by tapping MENU three times
 - Lock by tapping EXIT
- The touchpad automatically locks after 10 seconds without taps.



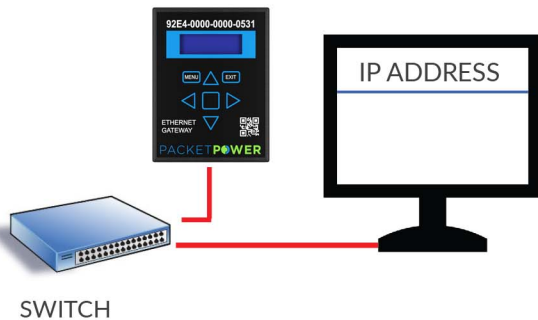
4 SET IP ADDRESS

- With DHCP turned off, enter the IP address, netmask and gateway addresses.
- A temporary IP address can be assigned and modified once you have access to the Gateway.

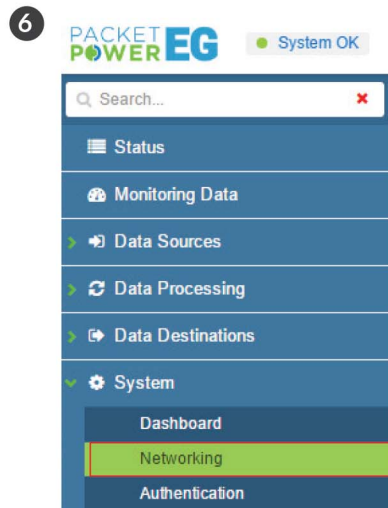
Modifying and Saving Values



5 ACCESS GATEWAY CONSOLE



- Access the Gateway Console by entering the Gateway's IP address onto a web browser.
- **Make sure the Gateway and browser are connected to an accessible switch or router.**



- From the left hand menu select "System" and then the "Networking" tab.

7 NETWORK SETTINGS

Networking

Setup your networking information in order to properly communicate within your network.

Network Interface IP ADDRESS (revealed only with DHCP off)

DHCP: On Off

IP Address:

Netmask:

Gateway IP:

Domain Name Servers (DNS) DNS ADDRESS(ES)

Server 1:

Server 2:

Proxy Server PROXY SERVER(S)

Proxy On Off

Time Synchronization (NTP) NTP SERVER(S)

Server 1:

Server 2:

NETWORK SETTINGS

- Enter the DNS address(s).
- Select a proxy server if applicable (often used when using EMX portal).
- Note that static IP addresses can also be modified here.
- Click “save” icon to input settings.

TIME SYNCHRONIZATION

- Enter an NTP time server IP address or domain name.
- Available servers can be found at <http://www.pool.ntp.org>
- Default time server is 0.pool.ntp.org and 1.pool.ntp.org
- Confirm the time at the top right of console.
- Click “save” icon to input settings.

8 CHOOSE YOUR DATA DESTINATION

EMX

Setup your EMX monitoring data feed and support feed.

Monitoring Data Feed EMX IMPLEMENTATION TYPE

Mode	Select	Destination
Cloud EMX	<input checked="" type="radio"/>	Send monitoring data to cloud EMX. Requires firewall http(s) access
Local EMX	<input type="radio"/>	Send monitoring data to a local EMX host: <input type="text" value="Local EMX host (ex: https://192.168.0.1)"/>
Disabled	<input type="radio"/>	Do not send data anywhere (for use with SNMP or Modbus)

Upgrade and Support Feed

Mode	Select	Destination
Cloud EMX	<input checked="" type="radio"/>	Enable upgrade information feed from cloud EMX. Requires firewall http(s) access to *.amazonaws.com
Local EMX	<input type="radio"/>	Enable upgrade information feed from a local EMX host: <input type="text" value="Local EMX host (ex: https://192.168.0.1)"/>
Disabled	<input type="radio"/>	Do not use the support data feed

- Click on the “Data Destinations” tab on the left hand menu.
- Select how you want to receive your data: *EMX, Modbus or SNMP*. EMX feeds can be delivered simultaneously with Modbus or SNMP feeds.
- For SNMP or Modbus output ensure the Gateway is licensed correctly as indicated by a green light on the SNMP or Modbus tabs under “Data Destinations”. Contact Packet Power if the SNMP or Modbus feed needs to be enabled.
- For Modbus and SNMP implementation refer to the detailed support pages at packetpower.com/support
- Select the desired EMX implementation type (cloud is default) for both “Monitoring Data Feed” and “Upgrade and Support Data Feed” sections.
- **Ensure that the Gateway’s IP address has outbound access to port 443 (HTTPS) for *.amazonaws.com when using cloud EMX.**
- For local EMX, enter the IP address of the server using port 8080 (e.g. xxx.xxx.xxx.xxx:8080)
- Before you can access your data via EMX make sure your Packet Power representative has set up an EMX account. See the support section for EMX for additional details.



SUPPORT RESOURCES

ONLINE: packetpower.com/support

EMAIL: support@packetpower.com

PHONE: +1 (877) 560-8770

2716 Summer St. NE
Minneapolis, MN 55413
USA

PACKETPOWER

Ph +1 (877) 560-8770
Fax +1 (866) 324-2511
www.packetpower.com